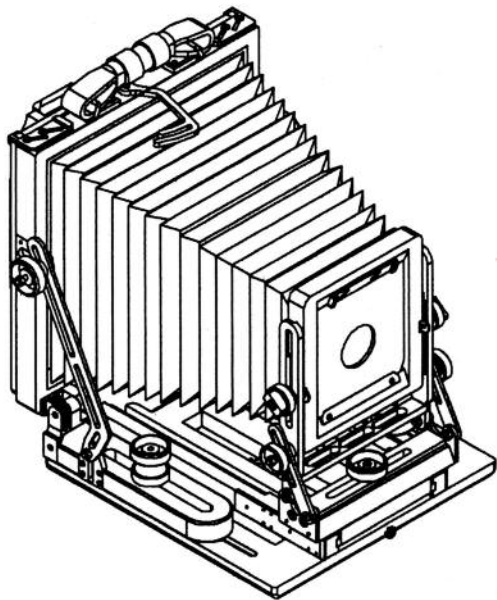


ShenHao[®] Camera



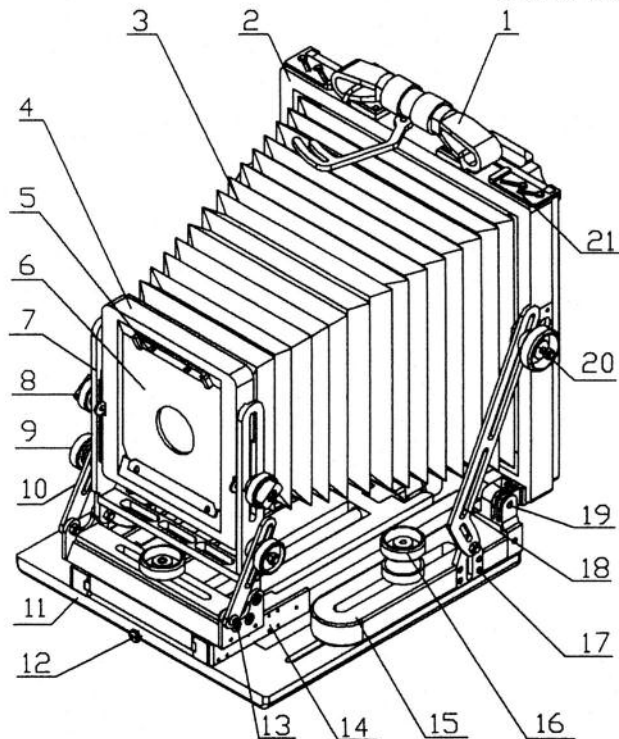
THE BEAUTY AND WARMTH
OF A HAND-CRAFTED
WOODEN BODY
WITH TODAY'S TECHNOLOGY
INSIDE

FCL57-A
申豪相机使用说明书
Operating Instruction

精纯的木质
典雅的外形
精湛的手工制作
现代技术的设计理念

Shanghai Shenhao Professional Camera Co.,Ltd
上海申豪专业照相机有限公司

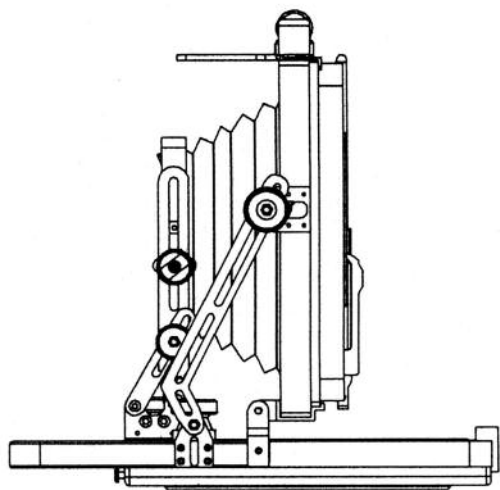
FCL57-A部件介绍1
Parts Introduce



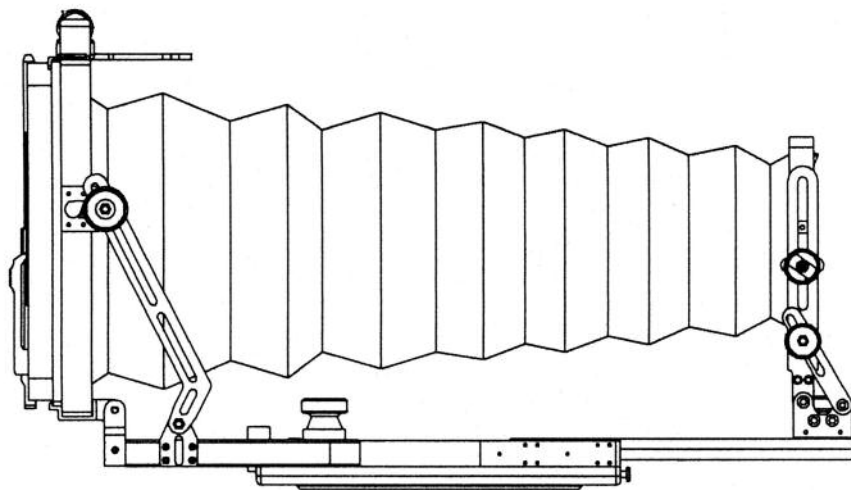
	中文	English
1	拎攀	Carry loop
2	后主框	Latter main frame
3	标准皮腔	Standard bellows
4	镜板框	Mirror board frame
5	镜板锁	The mirror board locks
6	镜板	Mirror board
7	前组移动侧轨	The first group moves the side axle
8	前组上升锁钮	First group rise lock knob
9	前斜撑杆锁钮	First slanting stay rod lock knob
10	前斜撑杆	First slanting stay rod
11	底框	Underframe
12	锁桩	Locks the pile
13	前组底架侧板	First group chassis side bar
14	前组调焦支架	First group focusing support
15	主框前移导轨	In front of the main frame moves the guide rail
16	锁钮	Lock knob
17	底斜接板	Bottom slanting fish
18	后斜撑杆	Latter sway rod
19	铰链	Hinge
20	后斜撑杆锁钮	Latter sway rod lock knob
21	门面框锁	Facade frame lock

Shanghai Shenhao Professional Camera Co.,Ltd
上海申豪专业照相机有限公司

FCL57-A技术参数及示意图1
Technique Paramter and sketch map1



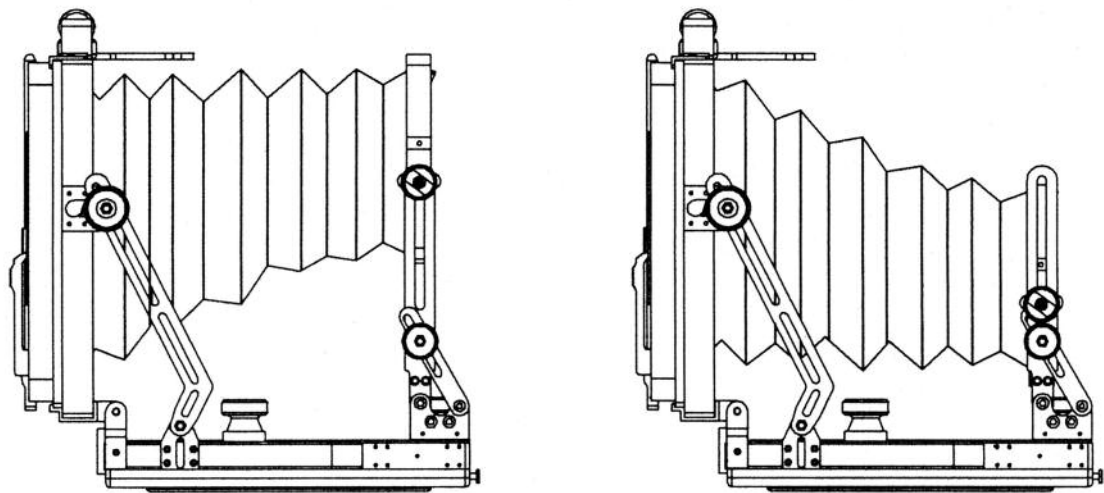
Brings size :90mm
缩进尺寸90mm



Stretch size: 480mm
拉伸尺寸480mm

Shanghai Shenhao Professional Camera Co.,Ltd
上海申豪专业照相机有限公司

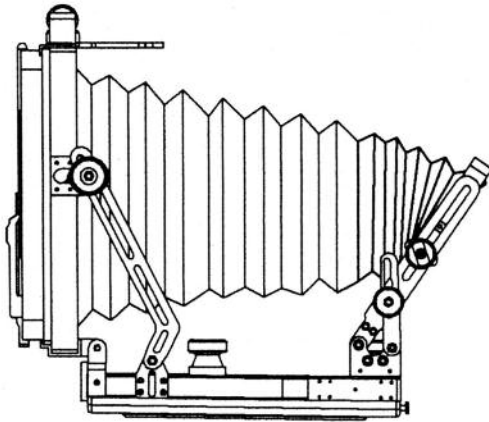
FCL57-A技术参数及示意图2
Technique Paramter and sketch map2



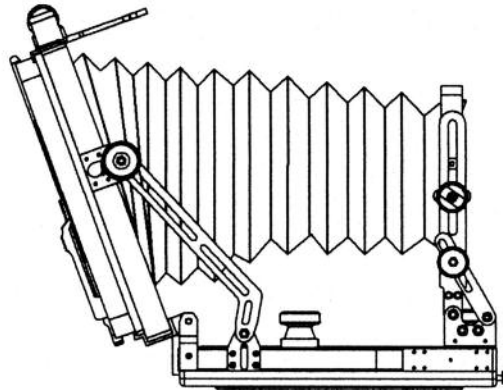
Turning angle of lens plate:rise/fall-50mm/22mm
镜板框上升50mm，下降22mm

Shanghai Shenhao Professional Camera Co.,Ltd
上海申豪专业照相机有限公司

FCL57-A技术参数及示意图3
Technique Paramter and sketch map3



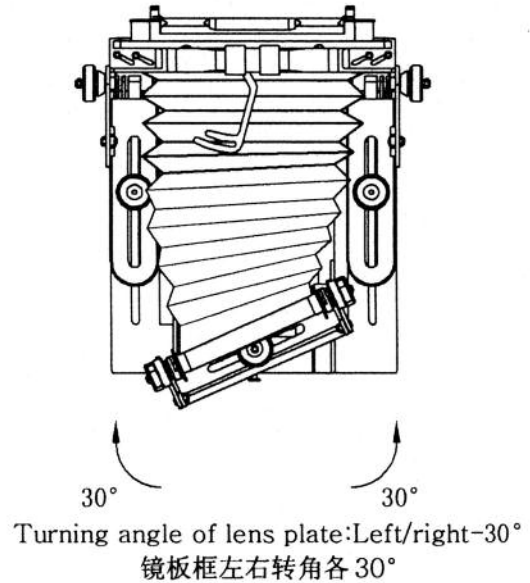
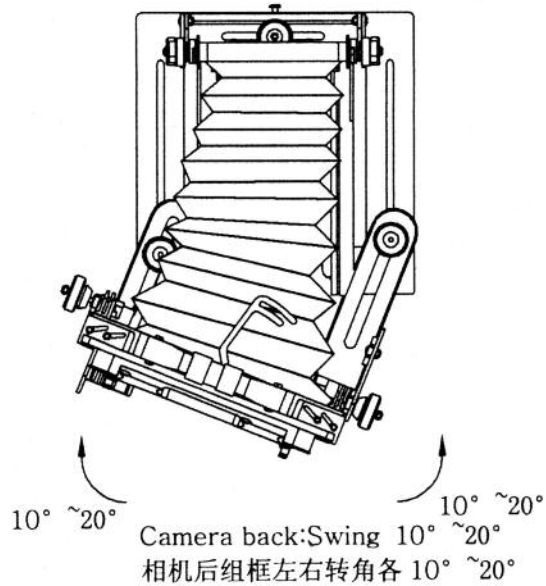
Front: Base Tilt 45° , Back 22°
相机前组框俯 45° , 仰 22°



Rear: Baes Tilt 90° , Back 35°
相机后组框俯 90° , 仰 35°

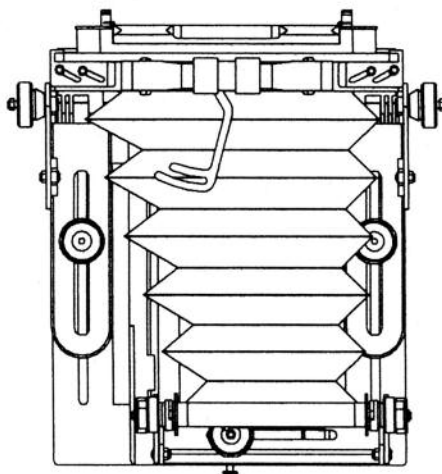
Shanghai Shenhao Professional Camera Co.,Ltd
上海申豪专业照相机有限公司

FCL57-A技术参数及示意图4
Technique Paramter and sketch map4



Shanghai Shenhao Professional Camera Co.,Ltd
上海申豪专业照相机有限公司

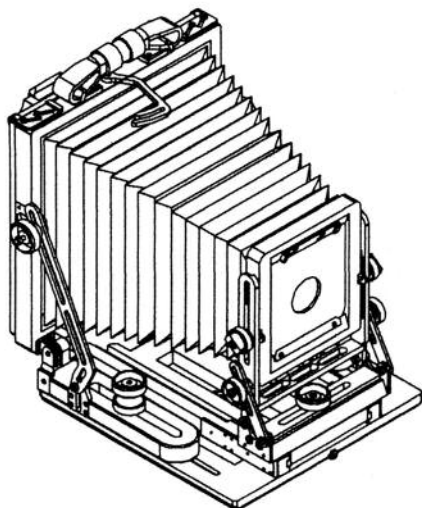
FCL57-A技术参数及示意图5
Technique Paramter and sketch map5



Turning angle of lens plate:
Left/right move 30mm
镜板框左右移动各30mm

Shanghai Shenhao Professional Camera Co.,Ltd
上海申豪专业照相机有限公司

FCL57-A详细说明
Specify



MATERIAL USED 使用材质	Black walnut, Aluminium alloys 黑胡桃木, 铝镁合金
FORMAT 规格	5×7" inch
Weight/Dimnsions 重量/尺寸	3kg/240×240×115mm

生产部地址:上海市恒西路198号2楼 邮编:201112 电话:86-21-54084027 传真:86-21-54082921

市场部地址:上海市鲁班路288号星光照相材城419室 邮编:200023 电话:86-21-63056207

Production Department Address:

Floor 2 NO.198 Heng xi Rd Shanghai China

Postcode: 200232 Tel:86-21-54084027 Fax:86-21-54082921

Market Department Address:

Rm 419 NO.288 Lu ban Rd (Xingguang Photographic Equipment Mall) Shanghai China

Postcode: 200023 Tel:86-21-63056207

Website:<http://www.shen-hao.com> E-mail:zhangfmli@vip.sina.com